

# MJ Series Mobile Jaw Crushers



MINING



AGGREGATES



FOUNDRY

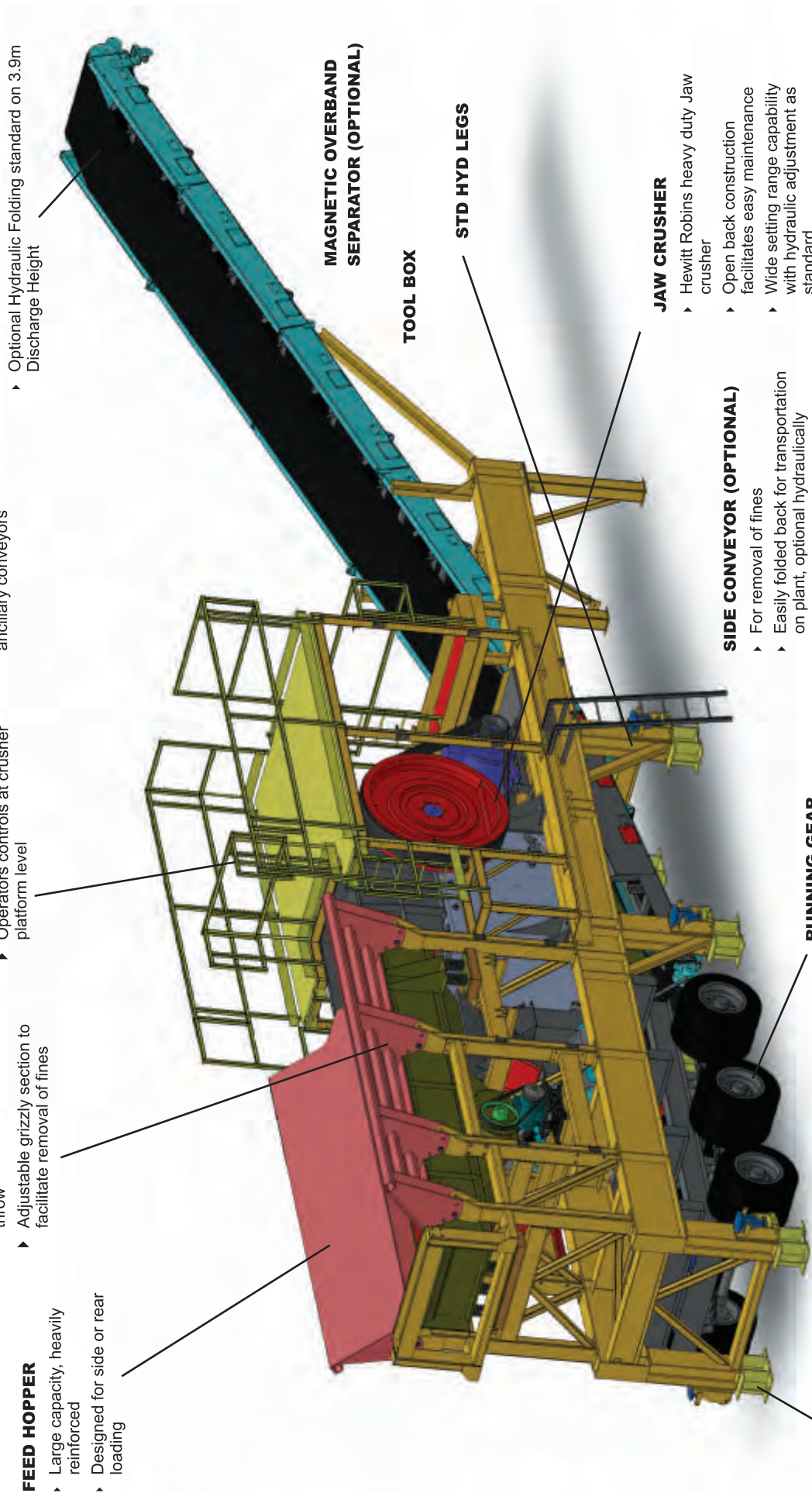


IRON & STEEL

## Features

- ▶ **Instant Setup** – Hydraulic support legs, folding feed hopper and conveyor.
- ▶ **Optimum Performance** – Higher output capability, lower traveling profile and highly manoeuvrable.
- ▶ **High Quality** – Total commitment to 'quality', ISO 9001 Certification, Designed to European regulations.
- ▶ **Low Cost Operation** – Low power consumption, Variable speed control, Long manganese life.
- ▶ **Ease of Maintenance** – Minimum component parts, Electric/Hydraulic drive, Hydraulic setting adjustment.
- ▶ **Total Product Support** – Worldwide distribution network. Comprehensive service support. Extensive spare parts availability.

# MJ Series Mobile Jaw Crushers



**1000 mm WIDE HYDRAULIC PRODUCT CONVEYORS**

- ▶ Optional fold back arrangements facilitates transport
- ▶ Optional Hydraulic Tail lift
- ▶ Optional Hydraulic Folding
- ▶ 4.8m Discharge Height
- ▶ Optional Hydraulic Folding standard on 3.9m Discharge Height

**POWER PACK**

- ▶ Optional CAT turbo diesel or Electric power pack
- ▶ V belt drive to jaw crusher
- ▶ Electrical drive to feeder and ancillary conveyors

**SERVICE PLATFORMS**

- ▶ Operators controls at crusher platform level

**HEAVY DUTY VIBRATING GRIZZLY FEEDER**

- ▶ High performance vibrating unit with contra rotating shafts
- ▶ Variable speed drive and throw
- ▶ Adjustable grizzly section to facilitate removal of fines

**FEED HOPPER**

- ▶ Large capacity, heavily reinforced
- ▶ Designed for side or rear loading

**MAGNETIC OVERBAND SEPARATOR (OPTIONAL)**

**TOOL BOX**

**STD HYD LEGS**

**JAW CRUSHER**

- ▶ Hewitt Robins heavy duty Jaw crusher
- ▶ Open back construction facilitates easy maintenance
- ▶ Wide setting range capability with hydraulic adjustment as standard
- ▶ Unrestricted feed opening minimises blockages and maximises output

**SIDE CONVEYOR (OPTIONAL)**

- ▶ For removal of fines
- ▶ Easily folded back for transportation on plant, optional hydraulically
- ▶ Fitted to either side or plant

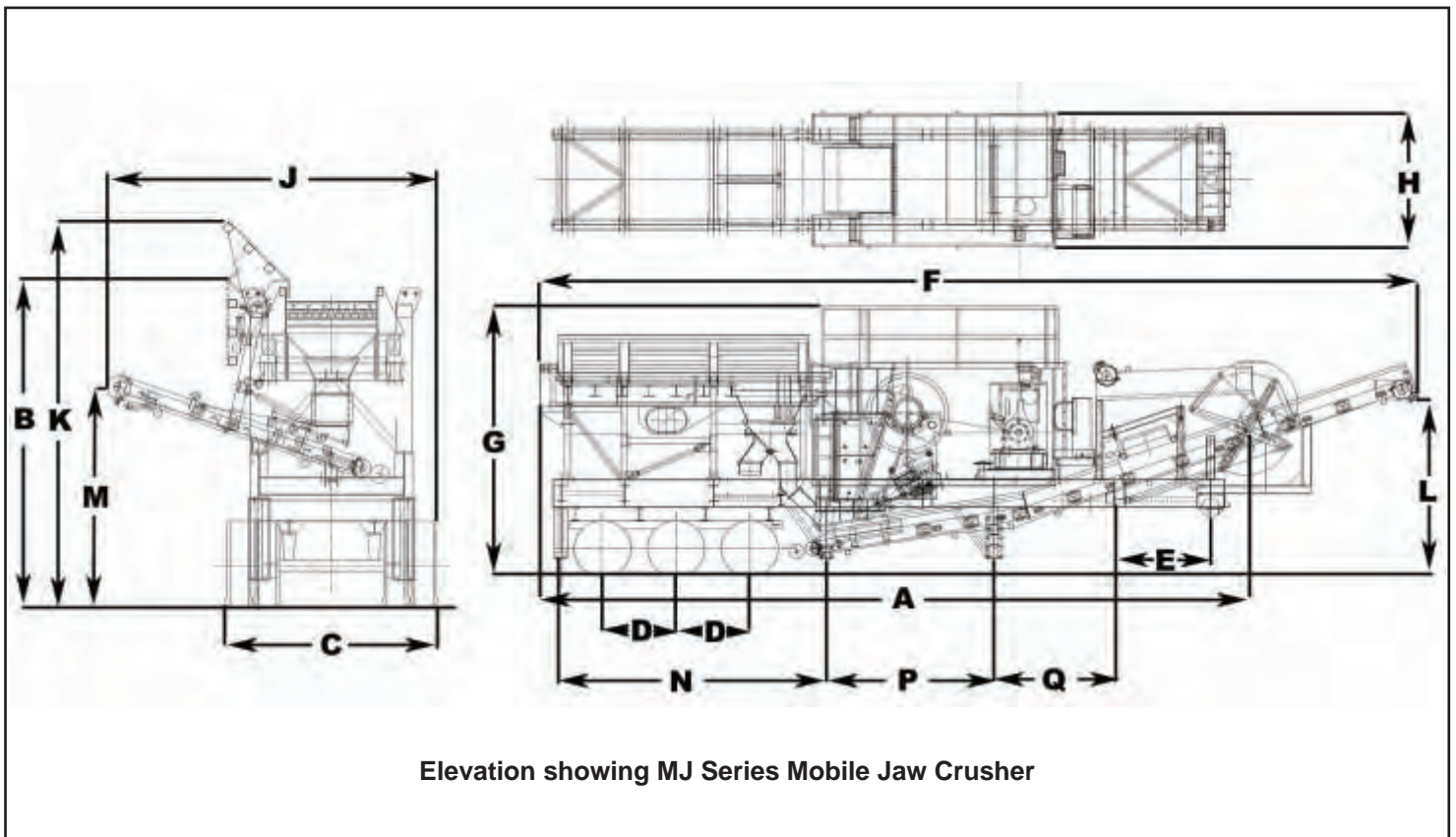
**RUNNING GEAR**

- ▶ Heavy duty spring type axles
- ▶ dual line air operated braking system
- ▶ Mechanical operated handbrake

**FOLD DOWN WHEEL GUARDS (OPTIONAL)**

**SUPPORT LEGS**

- ▶ Fast plant setup



MODELS	TRAVELING					WORKING									
	A	B	C	D	E	F	G	H	J	K	L	M	N	P	Q
<b>1100 X 800</b>	13040	3483	2490	1360	2300	16229	5000	2500	3770	4510	4800	2730	4900	3100	4000
<b>900 X 600</b>	8580	3365	2500	1230	2300	10520	5000	2500	3770	3385	3385	2080	4100	-	-

SPECIFICATIONS	MODELS	
	MJ1180	MJ960
Jaw size	1100 x 800	900 x 600
Range of Crusher Discharge Setting	50–125	40–125
Capacities	40–190	60–270
Nominal Speed RPM	250	260 RPM
Jaw Crusher Drive	Direct from main drive coupling	
Grizzly Feeder Drive	Electric, with Variable Speed Control	
Main on-plant Conveyor Drive	Electric	
Dirt Conveyor Drive	Electric	
Vibrating Grizzly Feeder Width x Length (mm)	1160 x 3550	900 x 3050

# MJ Series Mobile Jaw Crushers

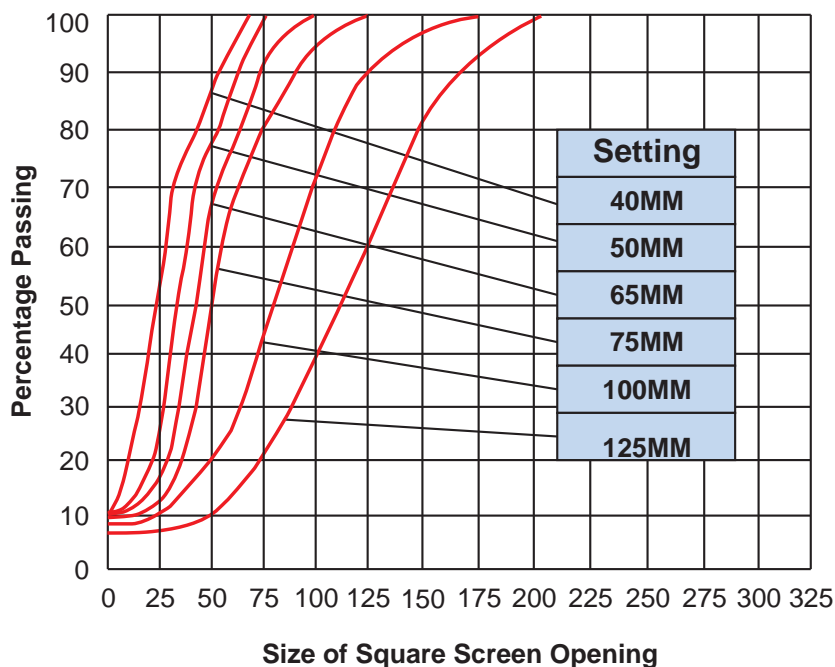


## Capacity Tonnes/HR

CSSmm	900 X 600	1100 X 800
40	40-55	N/A
50	50-65	60-120
65	55-75	100-160
75	75-110	120-180
90	95-120	135-210
100	100-140	155-230
125	120-190	180-270

Capacities shown are based on crushing clean dry stone, weighing 1600kg/cu metre and with a compressive strength no greater than 165 mpa.

## Typical EX Crusher Grading



### Hewitt Robins International Limited

Huntingdon Court, Huntingdon Way, Measham, Swadlincote, Derbyshire, DE12 7NQ, United Kingdom, Tel:+44(0)1530 272799, Fax: +44 (0)1530272787, E-mail:sales@hr-int.co.uk, www.hewittrobins.co.uk

[www.trf.co.in](http://www.trf.co.in)

### TRF Limited

Head Office & Works : 11, Station Road, Burma Mines, Jamshedpur-831007, Jharkhand, Phone : 91-657-3046500 / 598, 91-657-2345693 Fax : 91-657-2345732

### Marketing :

#### Bulk Material Handling System

Cell : +91-9334002278  
Ph : +91-657-3046242 / 229  
Fax : +91-657-2345733  
E-mail : dcjha@trf.co.in

#### Bulk Material Handling Equipment

Cell : +91-9304813194  
Ph : +91-657-3046365 / 216  
Fax : +91-657-2345724  
E-mail : r.n.sinha@trf.co.in

#### Balance of Plant

Cell : +91-9836940240  
Ph : +91-33-44033504  
E-mail : ranjit.sanyal@trf.co.in  
Cell : +91-9836908787  
E-mail : dhiraj.fanish@trf.co.in

#### Port & Yard Equipment Division

Cell : +91- 9334002284  
Ph : + 91-3344033504  
Fax : +91-3344033597  
E-mail : p.tibdewal@trf.co.in

### Regional Offices :

#### KOLKATA

Block-D, 3rd Floor,  
22, Camac Street, Kolkata-700016  
Ph : +91-33-44043611  
E-mail : debasis.sarkar@trf.co.in

#### NEW DELHI

Himalaya House, 5th Floor, 23,  
Kasturba Gandhi Marg, New Delhi-110001  
Ph : +91-11-23310788/23314540  
Fax : +91-11-23722447  
E-mail : nd@trf.co.in

#### MUMBAI

Magnet House, 1st Floor, Narottam Morarji  
Marg, Ballard Estate, Mumbai-400038  
Ph : +91-22-22616853 / 22641320  
Fax : +91-22-22614085  
E-mail : mum@trf.co.in

#### HYDERABAD

Flat No. 601, 6th Floor, Paigah Plaza,  
Basheerbagh, Hyderabad-500063  
Ph : 91-40-23297630 / 31  
Fax : 91-40-23297363  
E-mail : hyd@trf.co.in